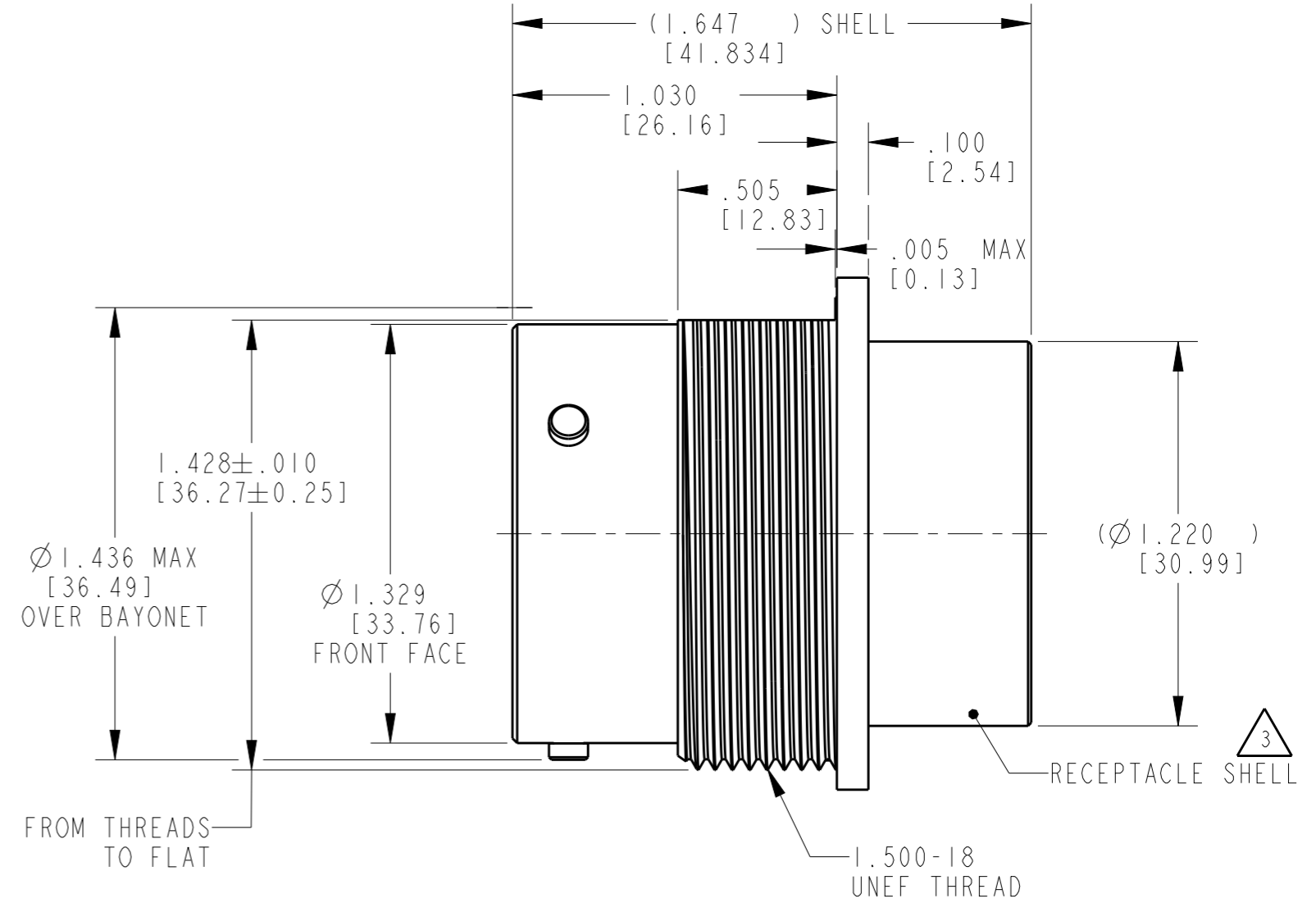
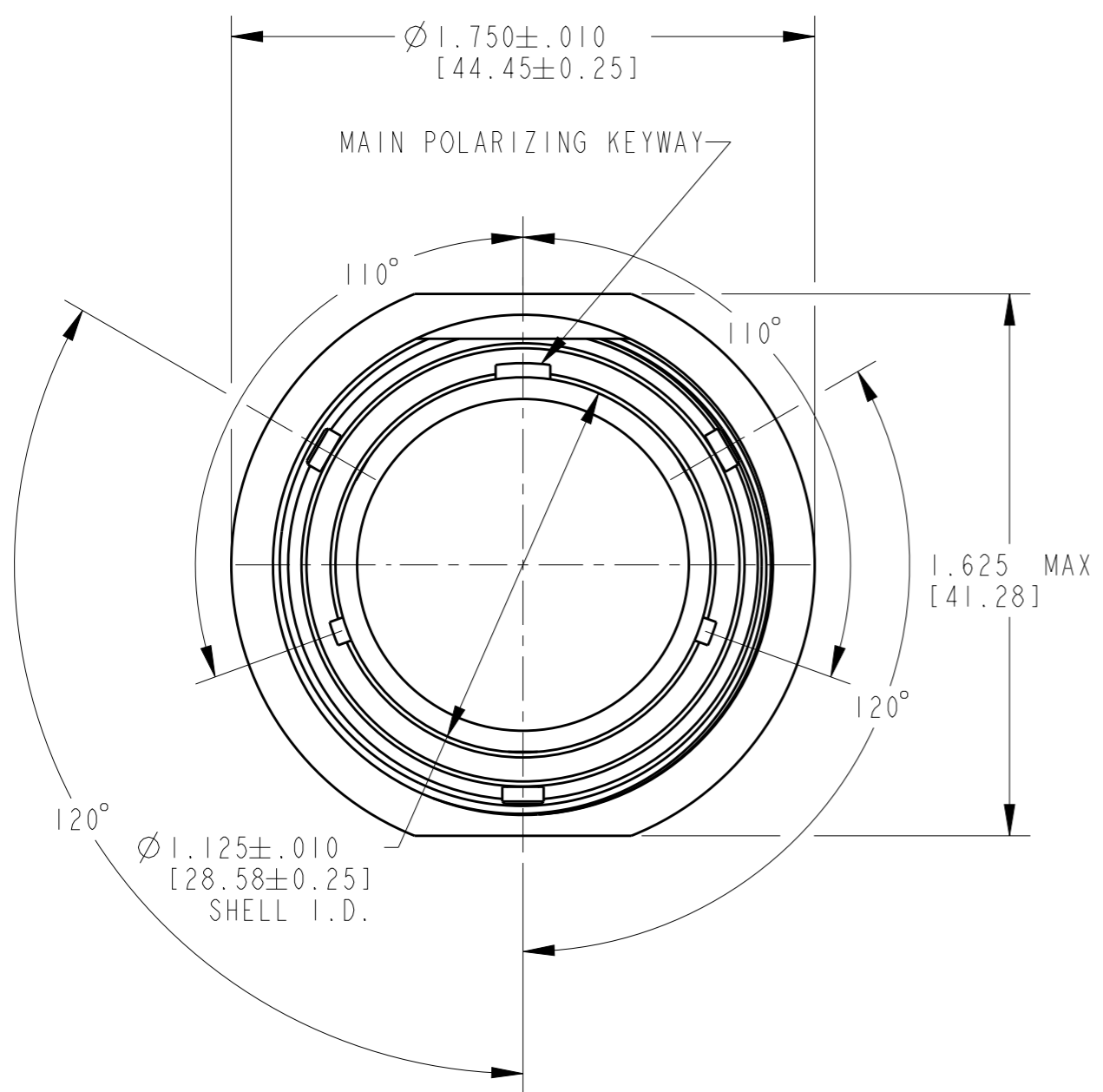


LOC	DIST	REVISIONS				
P	LTR	DESCRIPTION	DATE	DWN	APVD	
-	-	NC	NEW RELEASE PER E.O. A14915	04DEC1995	-	RDR
-	-	A	REVISED PER ECO-15-001798	19MAR2015	VNB	DM



3. MATERIAL:
RECEPTACLE SHELL: AL 6000 SERIES

2. FOR ARRANGEMENT OF CONTACT LOCATION
SEE ENVELOPE DRAWING 0425-013-1800.

1. CONSULT THE FACTORY FOR ELECTRICAL AND MATERIAL
SPECIFICATIONS.

NOTES:

THIS DRAWING IS A CONTROLLED DOCUMENT.		DWN V. TOMSA 07NOV1995	TE TE Connectivity
DIMENSIONS: INCHES [mm]		CHK V. TOMSA 04DEC1995	
TOLERANCES UNLESS OTHERWISE SPECIFIED:		APVD R. REED 04DEC1995	NAME RECEPTACLE CONNECTOR SHELL SIZE 18 BAYONET COUPLING HD30 SERIES
0 PLC ±-		PRODUCT SPEC 0425-016-0000	SIZE A3
1 PLC ±-		APPLICATION SPEC 0425-015-0000	CAGE CODE -
2 PLC ±-		WEIGHT -	DRAWING NO G=HD34-18-XXP/SX
3 PLC ±.010 [0.254]		Customer Drawing	RESTRICTED TO -
4 PLC ±-		SCALE 2:1	SHEET 1 OF 1
ANGLES ±° 30' 0"		REV A	
FINISH -			